

DAVEY

# Firefighter®



5155H with  
Honda GX160  
Engine

Model Numbers:  
5155H, 5155H3, 5155HV, 5165H,  
5165HE, 5165H23W, 5165HQ



## RUGGED, ECONOMICAL SINGLE STAGE ENGINE DRIVEN PUMP

### APPLICATION

Ideal for firefighting, tanker to tanker water transfer, high head general water transfer, sheep jetting, irrigation.

### FEATURES & BENEFITS

- **Driven by a Honda GX160 or GX200 engine.**  
The GX200 engine is also available in electric start.
- **Patented clamped impeller design** to enable longer impeller life and easier disassembly in case of blockage
- **Single stage design** provides the versatility of high flow rates with strong pressure
- **Thrust balanced impeller design** to extend engine life
- Pump casing, diffusers and impellers **manufactured from quality corrosion resistant marine grade aluminium** for long life
- **Choice of 3 or 4 way discharge port** for easy installation with a choice of plumbing sizes
- **Polyester coated pump casing, exterior and interior**, for added corrosion resistance
- **Patented floating impeller neckrings front and back** help improve pumping efficiency and extend seal life, dramatically reducing engine wear
- **Self priming from 7m** for more versatile installation options
- **Large priming and drain port with bayonet fit plugs** to accept pressure gauges or drain cocks
- **Low-oil protection on all models** to protect your engine
- **“HE” (electric start models) have electric starter and recoil starter fitted** to ensure a choice of starting methods, even if the battery is flat or removed
- **“HV” models come with Viton seal, o-rings, gaskets, caps etc. fitted** for improved chemical resistance. (Please seek specialist advice from chemical supplier if pumping chemicals. Use of aggressive chemicals may void warranty.)
- **All engines conform to the tough environmental requirements of the USA EPA and CARB standards**, to help look after the environment

# Single Stage Engine Driven Pump

## OPERATING LIMITS

Flow capacities to	500 L/min
Maximum total head	72m
Maximum suction lift	7m
Maximum water temperature	50°C
Minimum water temperature	1°C
Maximum casing pressure	1000kPa
Minimum suction pipe size	1 1/2"
Suction pipe strainer	Required
Inlet size*	1 1/2" or 2"

\*Dependant upon model chosen

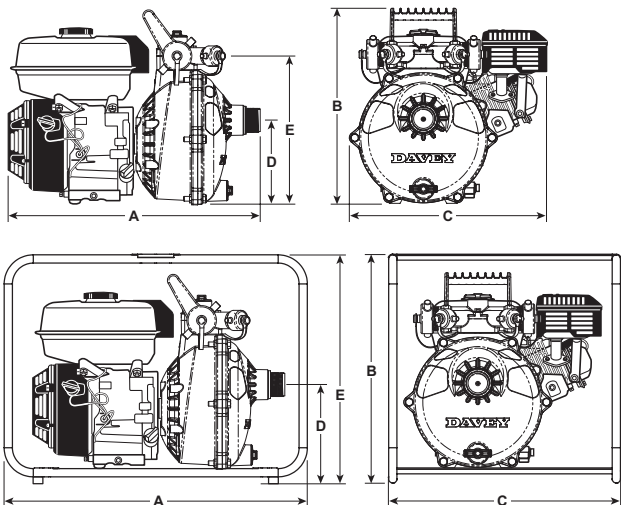
## ENGINE DATA

Single Stage Pump Model	5155H 5155H3 5155HV	5165H 5165H23W 5165HQ	5165HE
Engine brand	Honda		
Engine model	GX160	GX200	GX200E
Engine type	Overhead valve		
Displacement (cc)	163	196	
Fuel tank (litres)	3.1		
Oil capacity (litres)	0.6		
Compression ratio	8.5 : 1		
Air filter type	Twin stage – foam prefilter with paper element final filter		
Spark arrestor	YES		
Approximate fuel consumption @ full load @ 3600 rpm	1.7 L/hr		
dBa @ 4m @ 3600 rpm @ full head	85	86	

## DIMENSIONS (mm)

Model	A	B	C	D	E	Inlet BSP	Outlet BSP	Net Weight (kg)
5155H*	605	450	410	194	321	1 1/2"M	2x1"M 2x1 1/2"M	25
5155H3	445	388	388	169	296	1 1/2"M	1x1 1/2"M 2x1"M	25
5155HV	445	388	388	169	296	1 1/2"M	2x1"M 2x1 1/2"M	25
5165H*	605	450	410	194	321	1 1/2"M	2x1"M 2x1 1/2"M	26
5165H23W	510	388	402	169	296	2"M	1x2"M 2x1"M	22
5165HQ	510	388	402	169	296	2"M	1x1 1/2"M 2x1"M	26
5165HE	510	388	402	169	296	1 1/2"M	1x2"M 2x1 1/2"M	29

\*Dimensions and weight includes supplied frame as pictured

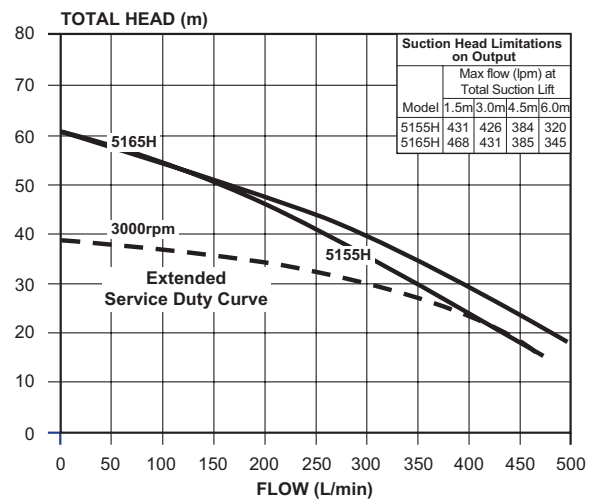


\*Dimensions for 5155H and 5165H only.

## MATERIALS OF CONSTRUCTION

PART	MATERIAL
Suction cover	Marine grade aluminium (AS605)
Diffuser	Marine grade aluminium (AS605)
Impeller	Marine grade aluminium (AS605)
Casing / yoke	Marine grade aluminium (AS605)
Mechanical seal	Carbon / ceramic
Discharge / handle	Marine grade aluminium (AS605)
Casing bolts	Zinc plated steel
Yoke bolts	Stainless Steel
Flap valve / seal ring	Zinc body, hytrel seal
Neck ring, priming and drain plug	Glass filled nylon
Casing, priming and drain plug o-ring	Nitrile rubber
Discharge gasket	Hytrel
Paint finish	Baked polyester powder coat

## HYDRAULIC PERFORMANCE



## INSTALLATION AND PRIMING

- Fit strainer to bottom of suction pipe; a foot valve is not required.
- To prime, fill pump body with water then allow pump to run until drawing water.

DAVEY

# Firefighter®



5113HE with  
Honda GX/E  
Engine

Model Number:  
5290HE, 5213HE



## HIGH POWERED TWIN STAGE SELF PRIMING PUMP

### APPLICATION

Ideal for firefighting, tanker to tanker water transfer, high head general water transfer, sheep jetting, irrigation, boom spraying and travelling irrigators.

### FEATURES & BENEFITS

- **Driven by a 270cc or 389cc Honda GX/E engine** fitted with an electric start.
- **Heavy duty wide vane impeller** or longer life, improved performance and easier cleaning in the case of blockage.
- **Twin impeller design** provides the versatility of high flow rates with strong pressure.
- **Thrust balanced impeller design** to extend engine life.
- **Pump casing, diffusers and impellers manufactured from quality corrosion resistant marine grade aluminium** for long life.
- **NEW 3 way discharge port for easy installation with a choice of plumbing sizes.** The NEW 3 way discharge is easily adapted to the old 3 way outlets.
- **Polyester coated pump casing, exterior and interior,** for added corrosion resistance.
- **Self priming from 6m** for more versatile installation options.
- **Patented floating impeller neckrings front and back.** The front neckring helps improve pumping efficiency, the back neckring helps extend seal life and dramatically reduce engine wear.
- **Huge 1½" priming port** for extra quick filling.
- **Large drain port with bayonet fit plugs.** Plugs have safety retention system.
- **Low-oil protection on all models** - engines won't start or run if oil level is inadequate, thus protecting your engine.
- **All engines feature cast iron cylinder bore** for long life.
- **Electric starter (12Vac 30Amp hour battery and leads required) and recoil starter fitted,** ensures a choice of starting methods, even if the battery is flat or removed.
- **Viton seal and o-ring kit available** for herbicide/ insecticide spraying.

# Self Priming Pumps

## OPERATING LIMITS

Flow capacities to	680 lpm
Maximum total head	120m
Maximum suction lift	7m
Maximum water temperature	50°C
Minimum water temperature	1°C
Maximum casing pressure	1600kPa
Minimum suction pipe size	2"
Suction pipe strainer	Required
Inlet size*	2" BSP(M)
Outlet sizes <sup>^</sup>	1 x 2" BSP(M) 2 x 1" BSP(M)
Priming port*	1 x 1 1/2" BSP(M)

\*NPT thread available on request

<sup>^</sup>1 x 1 1/2" & 2 x 1" NPT outlet tee available on request

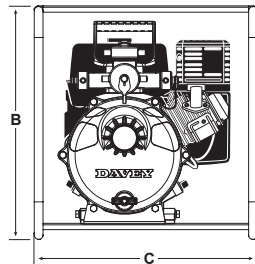
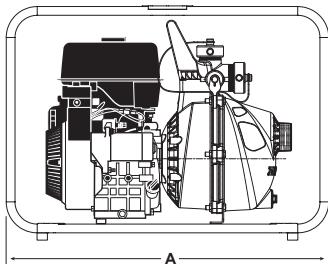
## ENGINE SPECIFICATIONS

Engine Brand	Honda	
Engine model	GX270E	GX390E
Twin Stage Pump Model	5290HE	5213HE
"Out of box" governed max engine speed @ no load	3600rpm	
Displacement (cc)	270	389
Fuel tank (litres)	5.3	6.1
Approx. fuel consumption @ full load @ 3600rpm	2.4	3.5
Running time per tank @ full load @ 3600rpm	1.9	2.0
Oil capacity (litres)	2.2	1.7
Spark arrestor	Yes	
dBa @ 3600rpm @ full load	79 @ 7m	78 @ 7m

## DIMENSIONS (MM)

Model	A	B	C	Inlet BSP	Outlet BSP	Priming Port BSP	Dry Weight (kg)
5290HE	675	545	520	2"M	2x1"M 1x2"M	1 1/2"M	39
5213HE							47

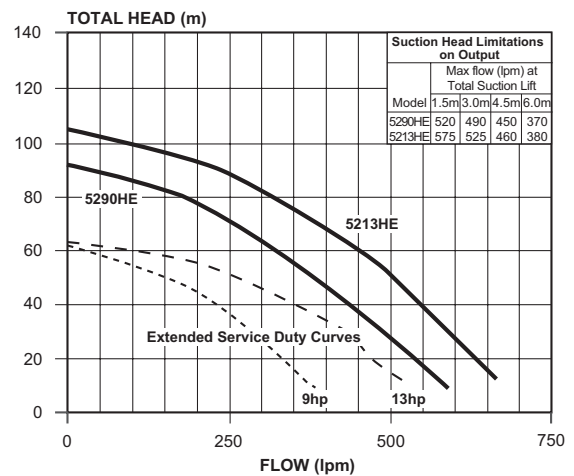
\*Dimensions and weight includes supplied frame as pictured



## MATERIALS OF CONSTRUCTION

PART	MATERIAL
Suction cover	Marine grade aluminium (AS605)
Diffuser	Marine grade aluminium (AS605)
Impeller	Marine grade aluminium (AS605)
Casing / yoke	Marine grade aluminium (AS605)
Mechanical seal	Carbon / ceramic
3 way discharge	Marine grade aluminium (AS605)
Casing bolts	Zinc plated steel
Yoke bolts	Stainless Steel
Flap valve / seal ring	Zinc body, hytrel seal
Neck ring, priming and drain plug	Glass filled nylon
Casing, priming and drain plug o-ring	Nitrile rubber
Discharge gasket	Hytrel
Paint finish	Baked polyester powder coat

## HYDRAULIC PERFORMANCE



## INSTALLATION AND PRIMING

- Fit strainer to bottom of suction pipe; a foot valve is not required.
- To prime, fill pump body with water then allow pump to run until drawing water.